

# QUICK INSTALL & CLEARANCES

For full installation directions/clearances please refer to the corresponding User Manual and/or Installation Guide.

## LSCG306ST

30" GAS COOKTOP

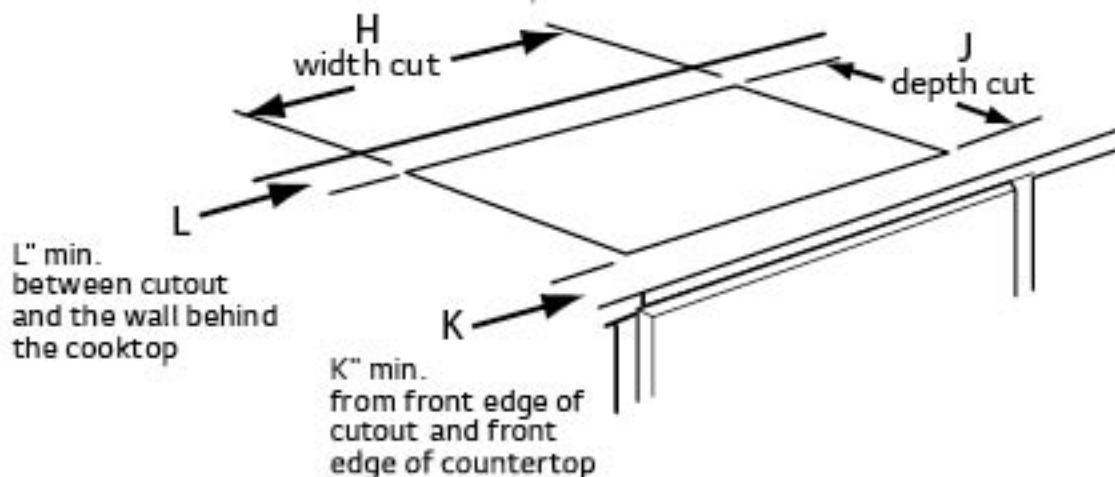
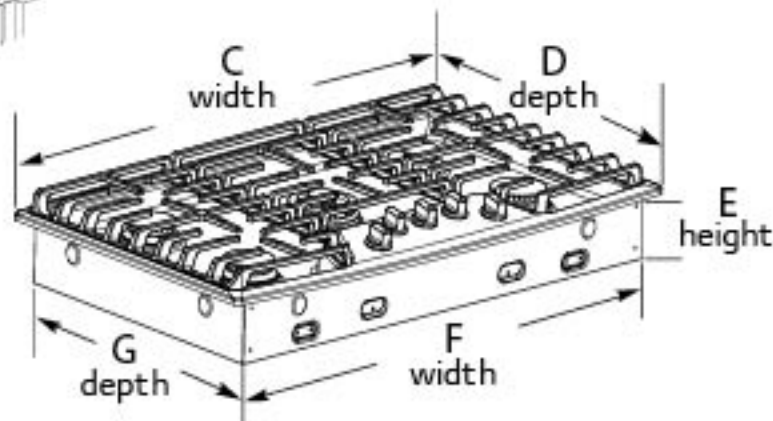
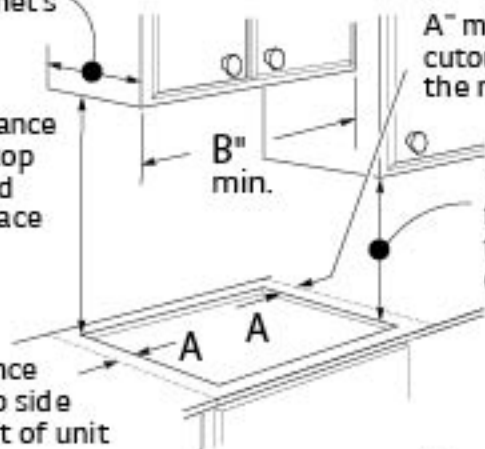
13" max. depth of unprotected overhead cabinets

30" min. clearance from counter top to unprotected overhead surface

A" min. clearance from cutout to side wall on the left of unit

A" min. clearance from cutout to side wall on the right of unit

18" min. height from counter top to nearest cabinet on either side of unit



L" min. between cutout and the wall behind the cooktop

K" min. from front edge of cutout and front edge of countertop

MODEL	A	B	C	D	E	F	G	H	J	K	L
30" Cooktop	11 <sup>13</sup> / <sub>16</sub> "	30"	30"	21 <sup>1</sup> / <sub>16</sub> "	3 <sup>3</sup> / <sub>4</sub> "	28 <sup>1</sup> / <sub>4</sub> "	19 <sup>3</sup> / <sub>16</sub> "	28 <sup>1</sup> / <sub>2</sub> "	19 <sup>11</sup> / <sub>16</sub> "	1 <sup>5</sup> / <sub>8</sub> "	2 <sup>3</sup> / <sub>4</sub> "
36" Cooktop	11 <sup>13</sup> / <sub>16</sub> "	36"	36"	21 <sup>1</sup> / <sub>16</sub> "	3 <sup>3</sup> / <sub>4</sub> "	33 <sup>5</sup> / <sub>16</sub> "	19 <sup>3</sup> / <sub>16</sub> "	33 <sup>15</sup> / <sub>16</sub> "	19 <sup>11</sup> / <sub>16</sub> "	1 <sup>5</sup> / <sub>8</sub> "	2 <sup>3</sup> / <sub>4</sub> "